

PROJECT DATA	
CODES	IBC-2015-NJ NEC-2014
USE GROUP:	U - UTILITY (CARPORT)
CONST. CLASS:	3B
SOLAR ARRAY:	
PANEL:	HELIENE 360w 1544 MODULES STRINGS OF 14-18 MODULES
RACKING:	CARPORT MOUNTED @ 10°
INVERTER:	(47) HiQ TS480-8k
SYSTEM RATING:	555,840 Watts DC - STC

**555.84 kW DC**  
**376.0 kW AC**

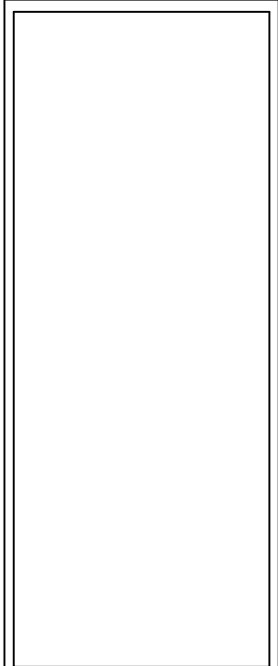
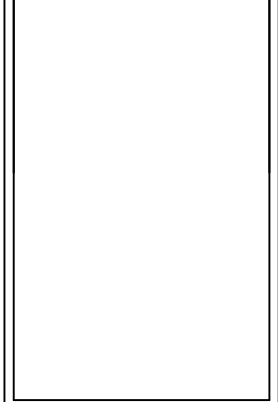


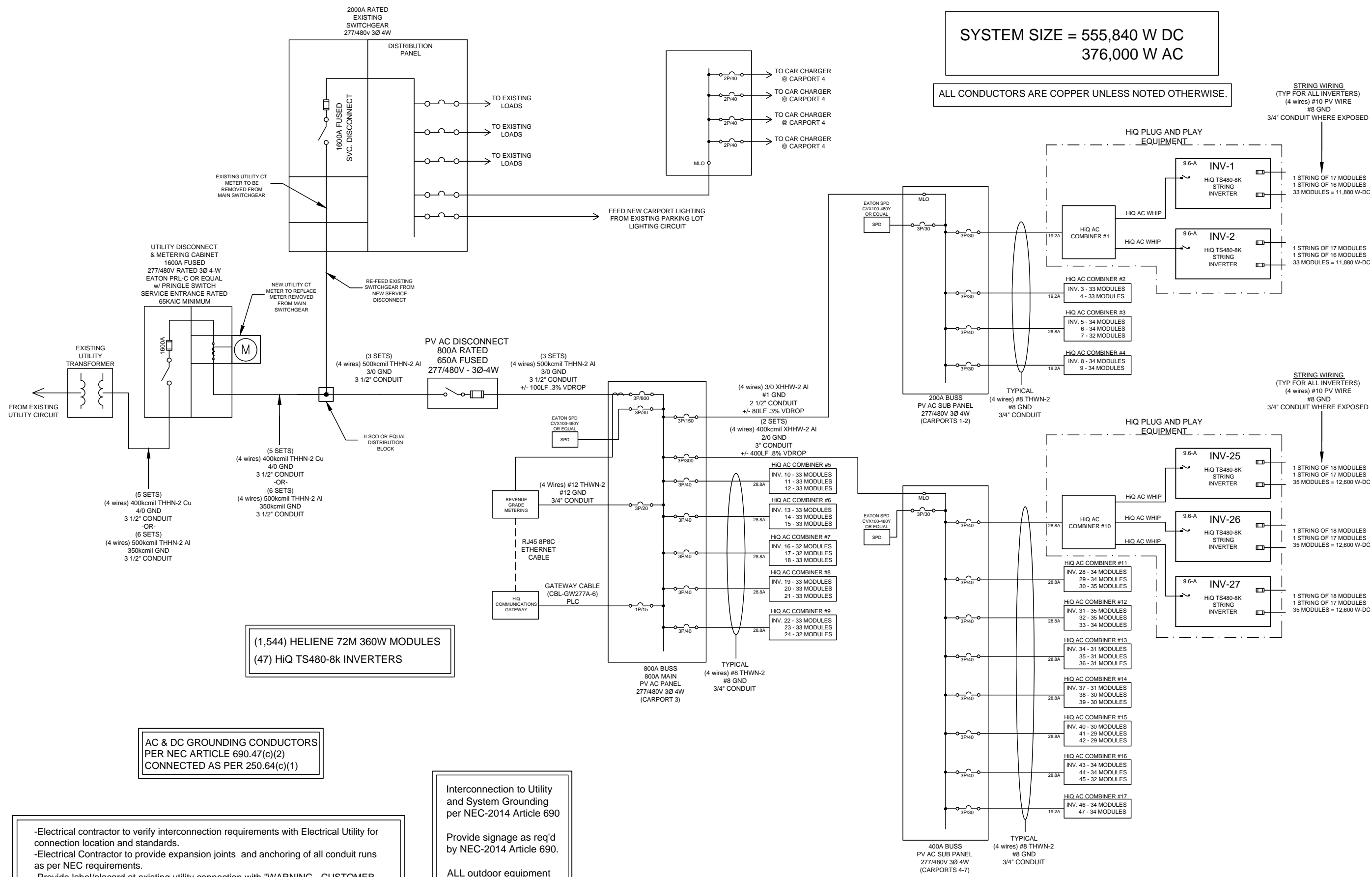
PHOTO-VOLTAIC ARRAY



REVISIONS	

DRWN	
CHKD	
SCALE	
DATE	09-07-2017

COVER PAGE  
**C-1**



**SYSTEM SIZE = 555,840 W DC  
376,000 W AC**

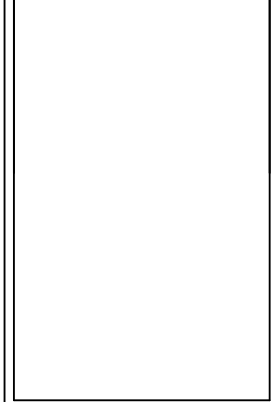
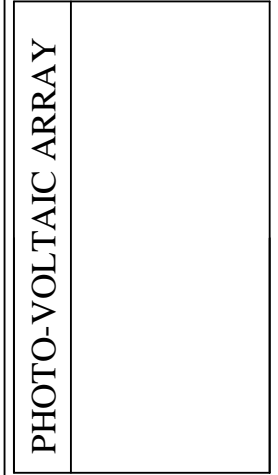
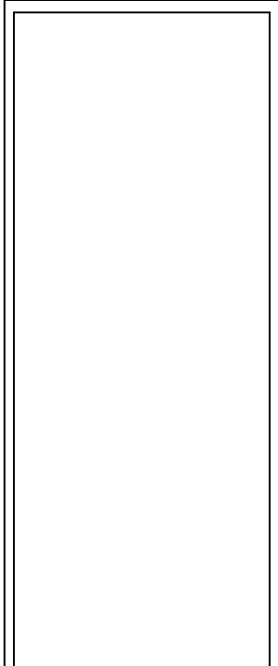
ALL CONDUCTORS ARE COPPER UNLESS NOTED OTHERWISE.

**(1,544) HELIENE 72M 360W MODULES  
(47) HIQ TS480-8K INVERTERS**

AC & DC GROUNDING CONDUCTORS  
PER NEC ARTICLE 690.47(c)(2)  
CONNECTED AS PER 250.64(c)(1)

-Electrical contractor to verify interconnection requirements with Electrical Utility for connection location and standards.  
-Electrical Contractor to provide expansion joints and anchoring of all conduit runs as per NEC requirements.  
-Provide label/placard at existing utility connection with "WARNING - CUSTOMER OWNED ELECTRICAL GENERATION EQUIPMENT CONNECTED" with appropriate hazard and output ratings of PV System.

Interconnection to Utility and System Grounding per NEC-2014 Article 690  
  
Provide signage as req'd by NEC-2014 Article 690.  
  
ALL outdoor equipment shall be a minimum of NEMA-3R rated.



REVISIONS	

DRWN	
CHKD	
SCALE	
DATE	09-07-2017

ELECTRICAL  
**E-1**