

# HiQ Solar Ballast Mount Kits

## MNT-TS1-01 Data Sheet



### What is it?

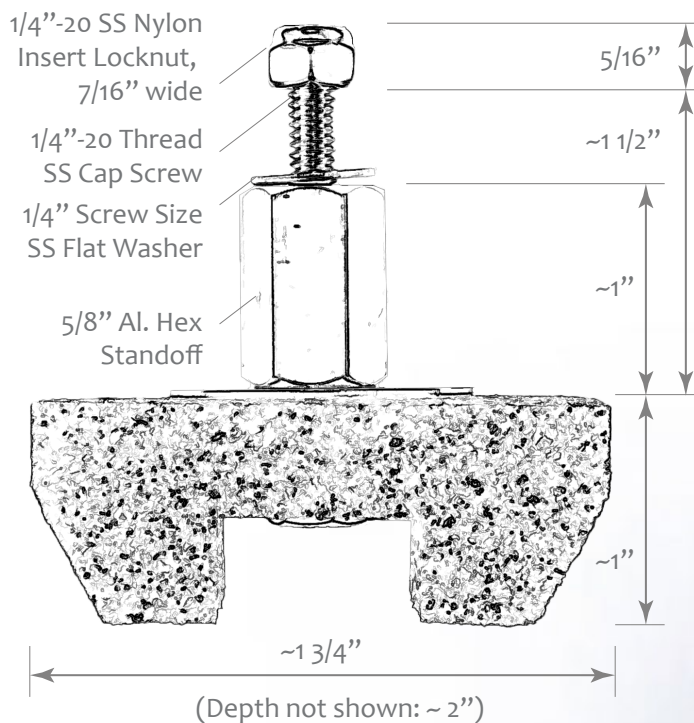
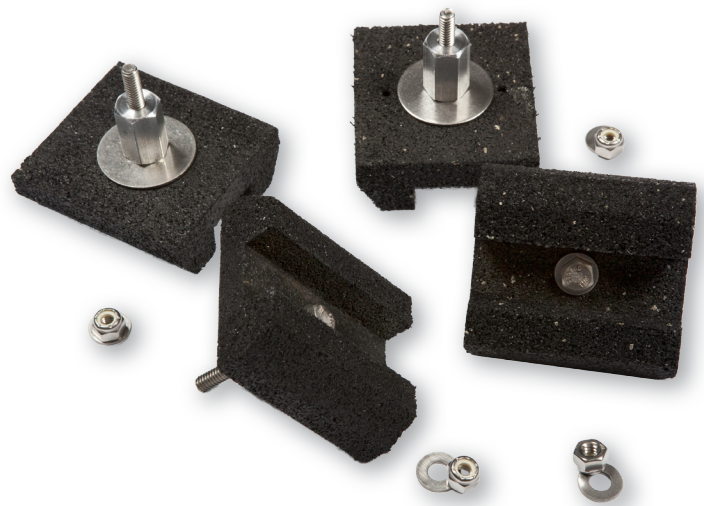
- A kit of 4 feet suitable for ballast-mounting a TrueString inverter

### Ideal for

- Ballast-mounted rooftop solar
- Under-array mounting for NEC 2014 Rapid Shut Down compliance

### Features

- Recycled rubber roof protection pads from PanelClaw
- Available as a kit for easy on-site assembly
- Contains recycled rubber pads with smooth edges that reduce risk of roof punctures
- No special tools required to install



Ordering Guide		
Item	Part Number	Description
Mounting Kit, 1 inverter	MNT-TS1-01	Hardware to mount 1 TrueString inverter. Includes 4 feet and associated hardware.



